

Eaton SB104YZ

Catalog Number: SB104YZ

Eaton B-Line series open frame racks, Steel, 3/8 -16" thread size, Yellow zinc, 2" X 9/16" Framing clip

General specifications

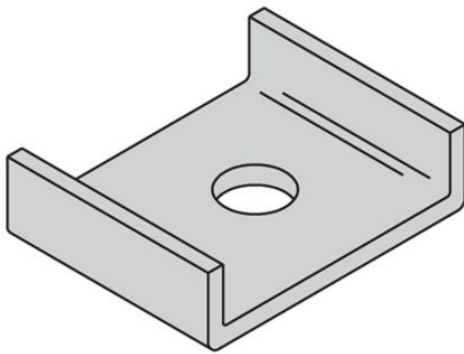


Photo is representative

Product Name	Catalog Number
Eaton B-Line series open frame racks	SB104YZ
UPC	Product Length/Depth
799038214885	1.88 in
Product Height	Product Width
0.44 in	1.25 in
Product Weight	Certifications
0.11 lb	Not Applicable

defaultTaxonomyAttributeLabel

Finish

Yellow zinc chromate

Material

Steel

Model

2" X 9/16" framing clip

Size

3/8 in - 16 thread size

Resources

Brochures

[RCM and RCM+ brochure](#)

Specifications and datasheets

[Eaton Specification Sheet - SB104YZ](#)



Eaton Corporation plc
Eaton House
30 Pembroke Road
Dublin 4, Ireland
Eaton.com
© 2024 Eaton. All Rights Reserved.

Eaton is a registered trademark.

All other trademarks are property of their respective owners.



Eaton.com/socialmedia